

Smart. Fast.  
Powerful.



**Dent Masters Corporation**

**Lift**



**Repair**

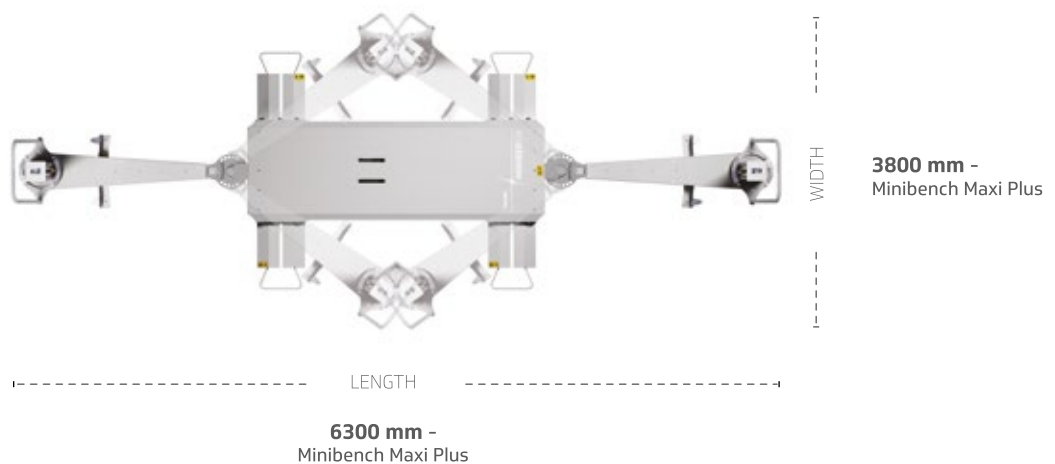


**Repair with Touch**





### PULLING COLUMN FOOTPRINT



## MINIBENCH MAXI PLUS

Front and back pulling column insertion locations

LOAD CAPACITY	3500 kg
LENGTH	2327 mm
LIFTING HEIGHT	1600 mm
MINIMUM HEIGHT	108 mm
PULLING FORCE	10 Ton

### Pantograph electro-hydraulic lift



### Control box



Electro-hydraulic unit located away from the bench for easy access.

### Pulling column



Rugged and tough, for 360° pulling.

### 4 Sliding side floor plates



Movable sliding plates to adjust for different length vehicles

### 4 Support buffers



For lifting

### 4 Universal clamps



For repairing